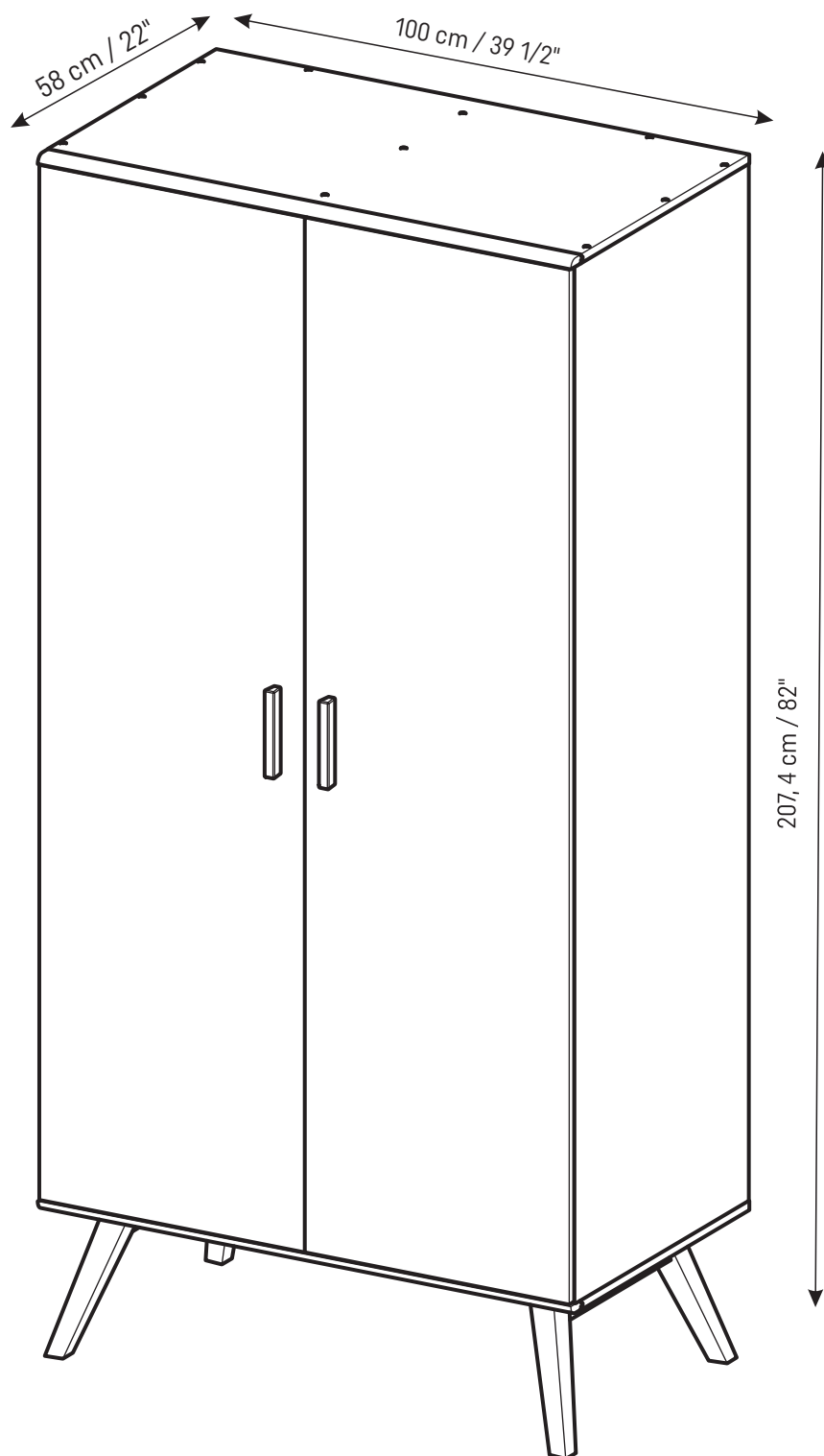


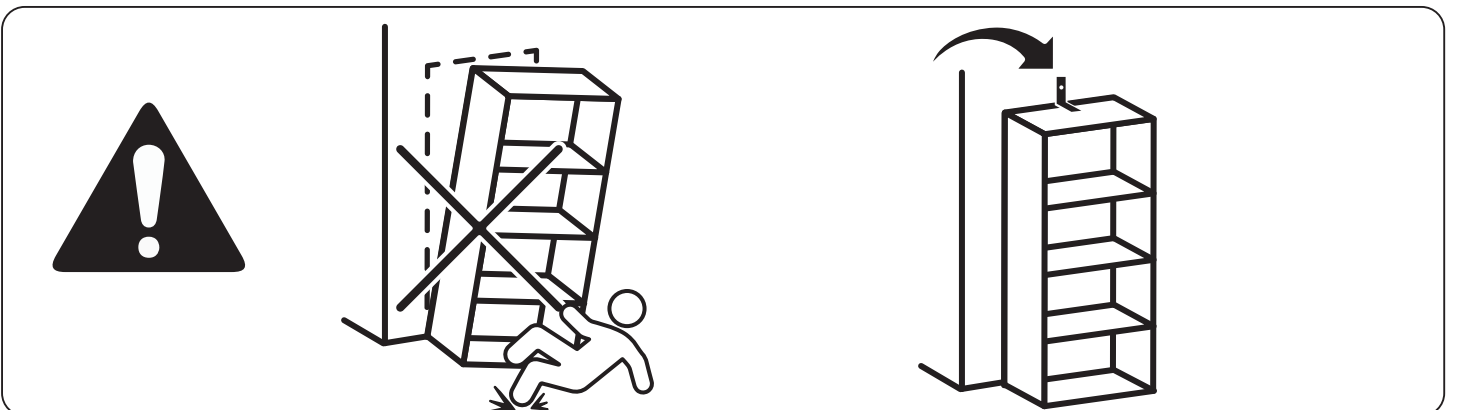
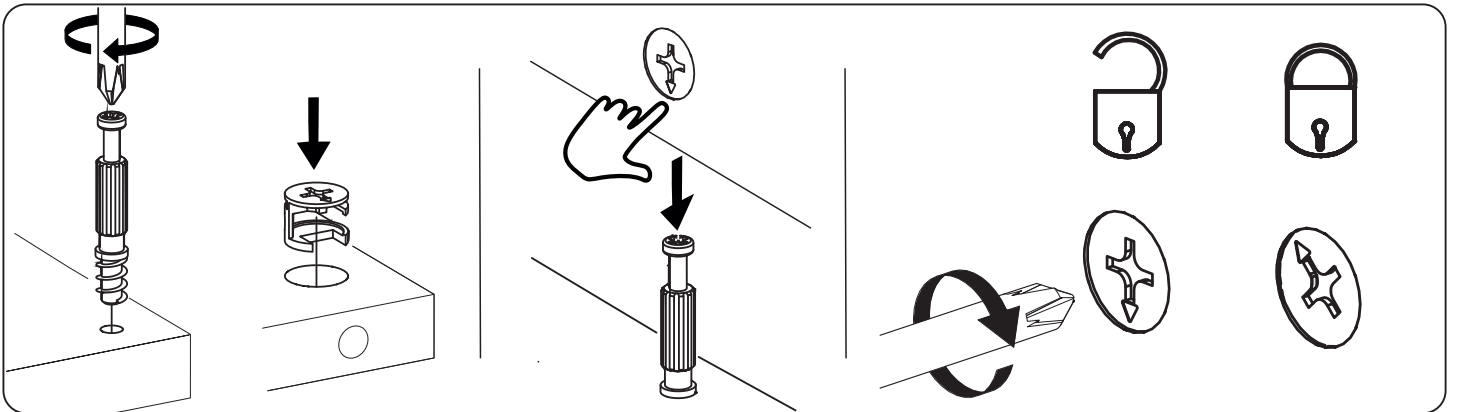
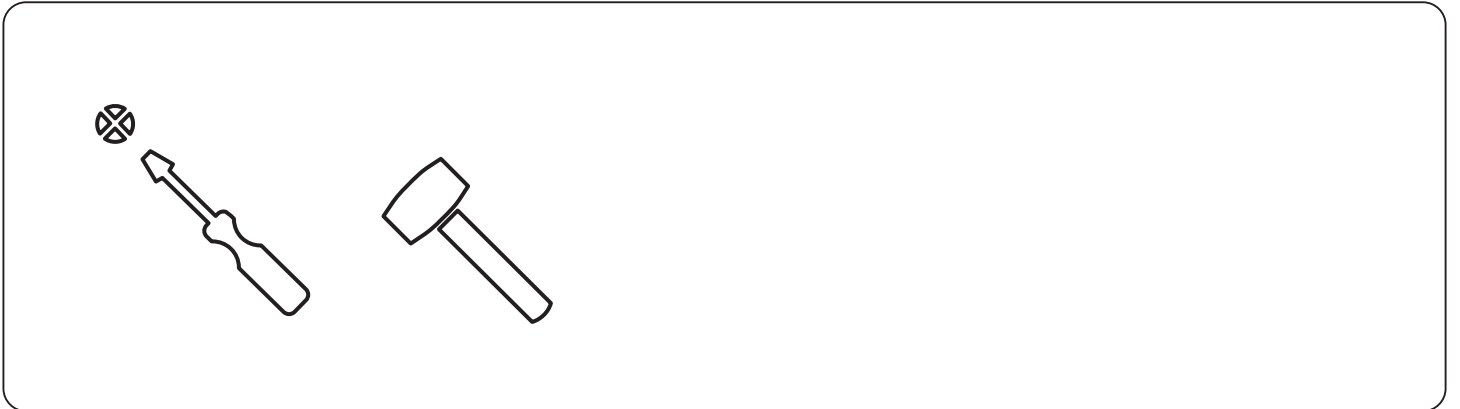
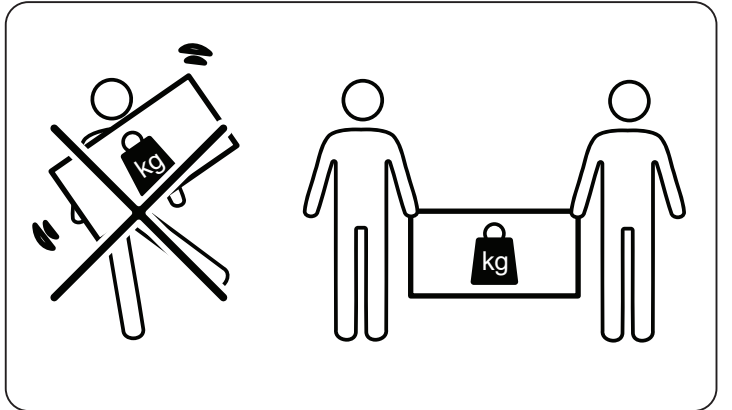
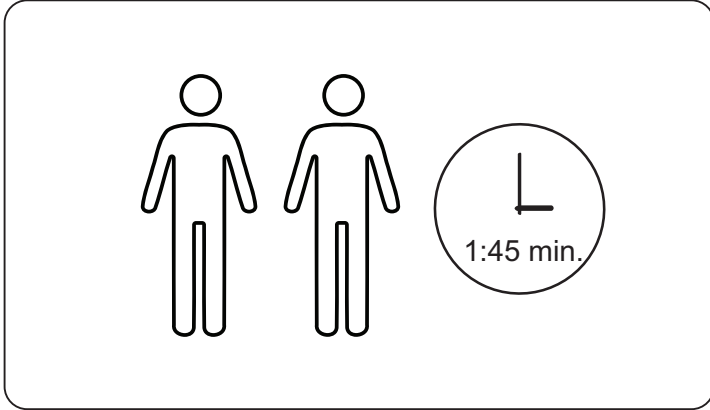
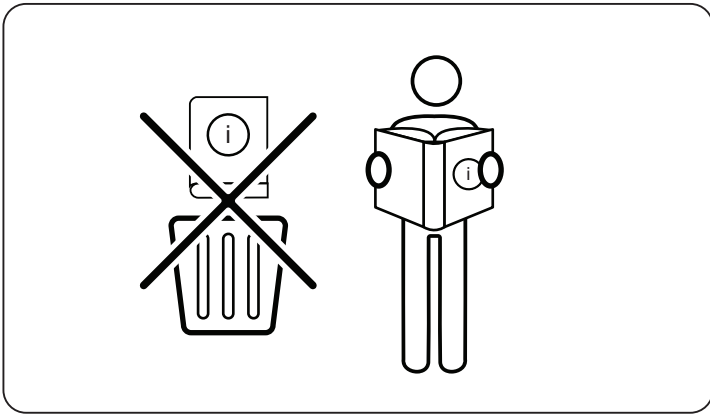
# NAUTIS

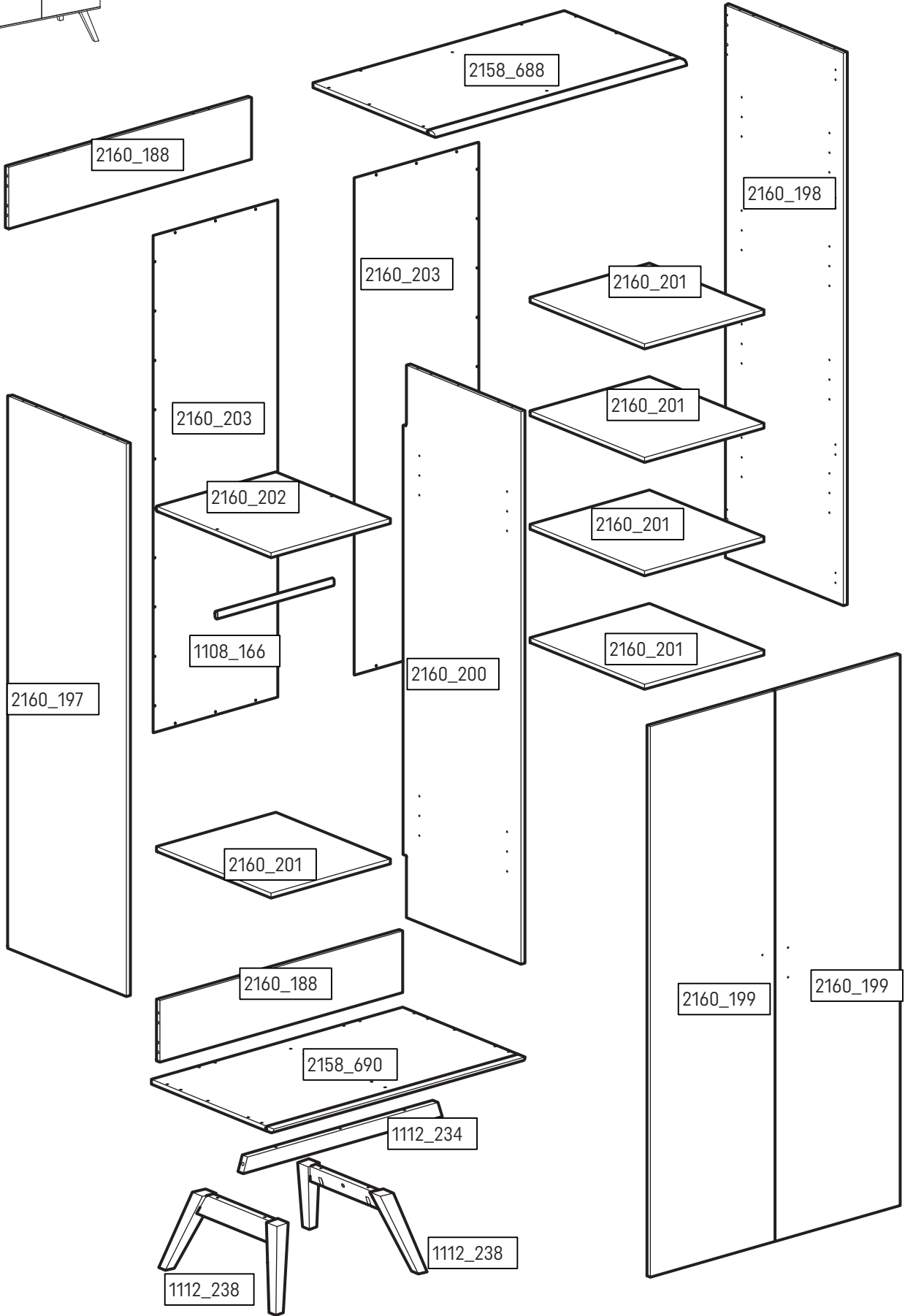
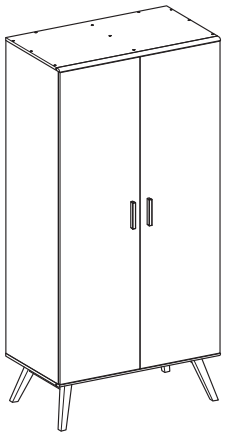
4015763\_001



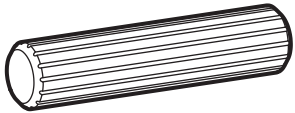
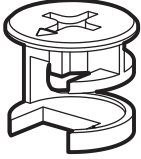
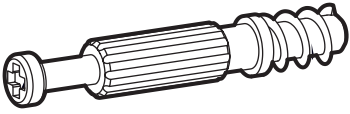
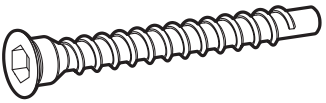
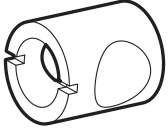
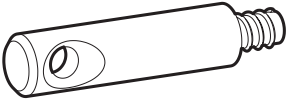

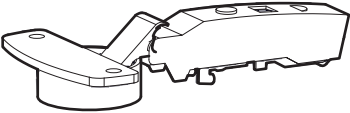

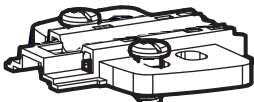
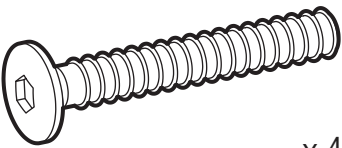
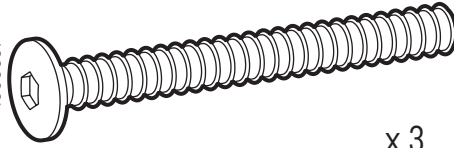
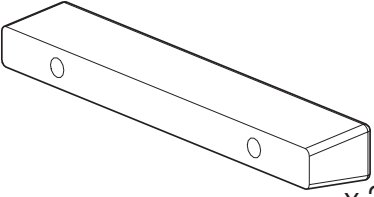
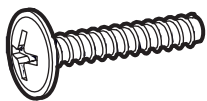


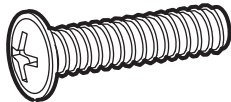
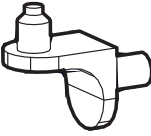

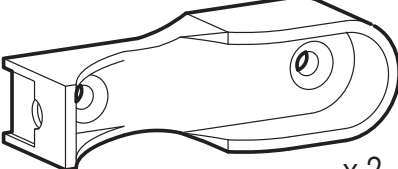


PL • vox.pl  
EU • voxfurniture.com  
US • voelkelcorp.com

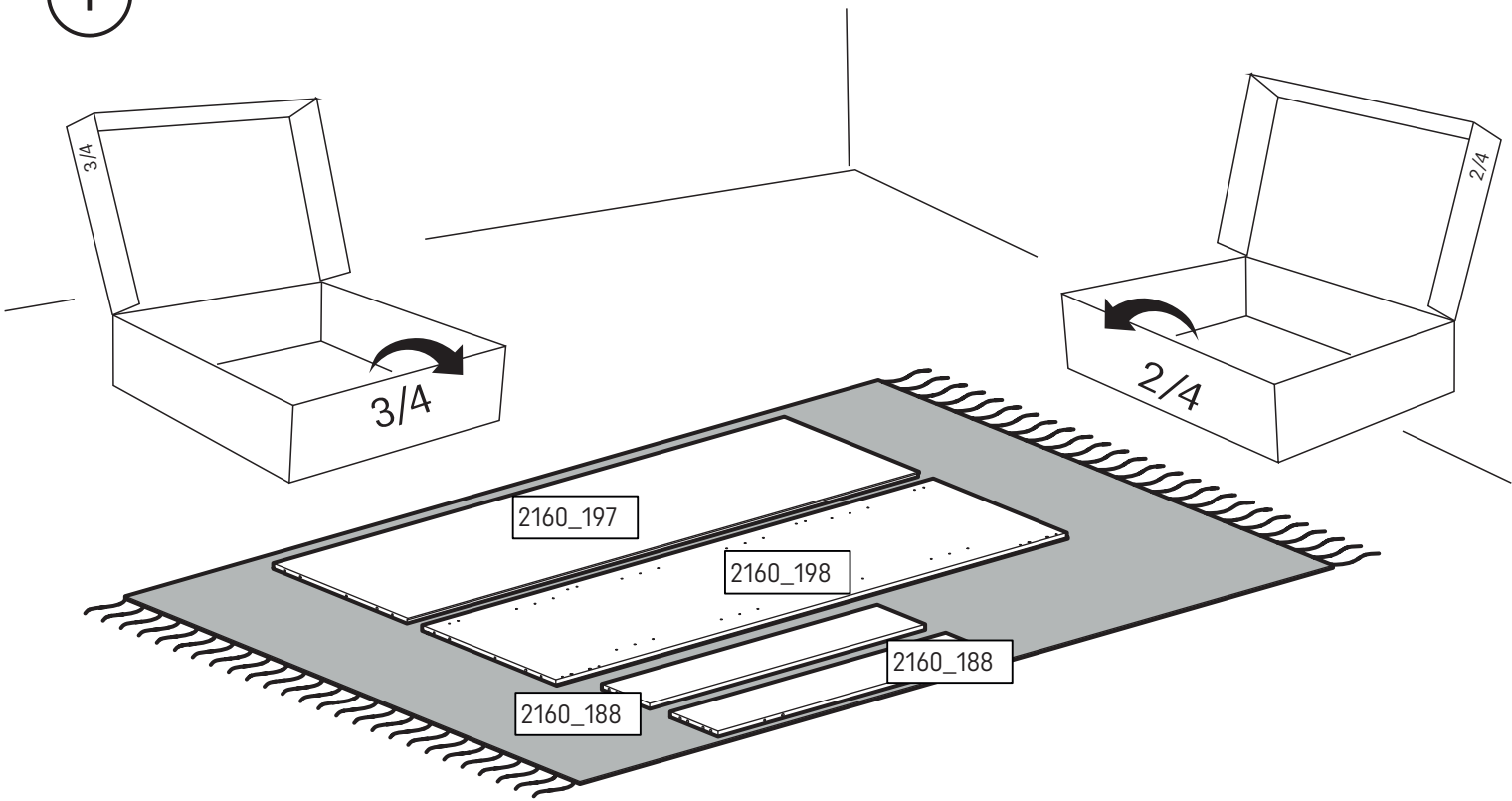
Meble VOX sp. z o.o. sp. k.  
ul. Gdyńska 143  
62-004 Czerwonak



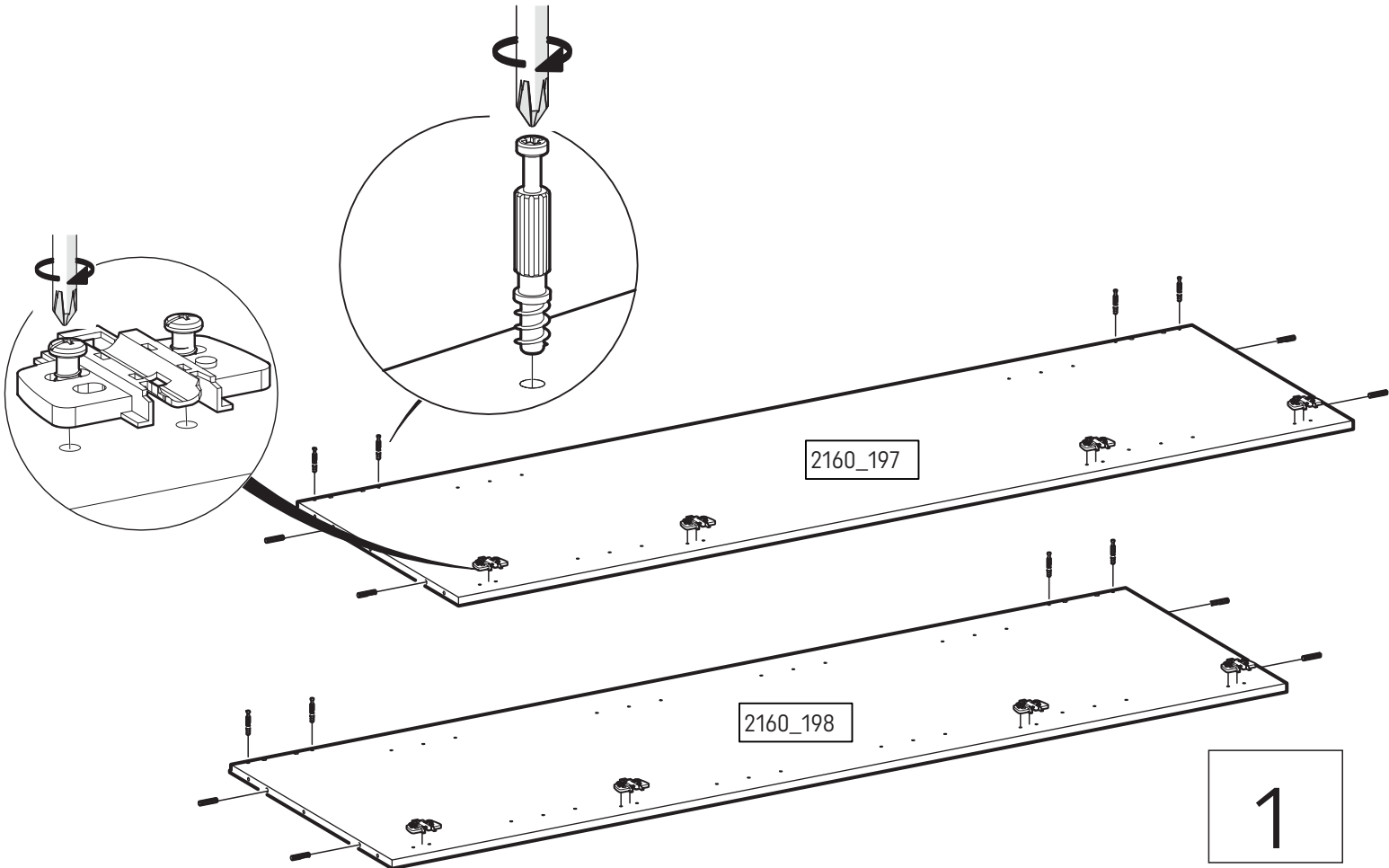
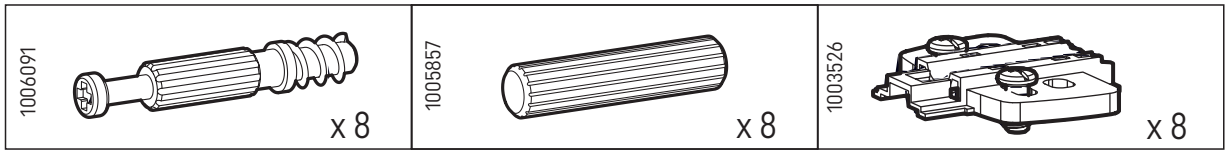


<p>1000806</p>  <p>x 1</p>	<p>1111440</p>  <p>x 1</p>	<p>1005857</p>  <p>x 24</p>
<p>1005367</p>  <p>x 8</p>	<p>1006091</p>  <p>x 8</p>	<p>1005876</p>  <p>x 22</p>
<p>1109473</p>  <p>x 2</p>	<p>1107571</p>  <p>x 2</p>	<p>1109474</p>  <p>x 2</p>
<p>1004820</p>  <p>x 8</p>	<p>1000242</p>  <p>x 10</p>	<p>1003526</p>  <p>x 8</p>
<p>1005377</p>  <p>x 4</p>	<p>1005687</p>  <p>x 3</p>	<p>1114564</p>  <p>x 2</p>
<p>1006031</p>  <p>x 4</p>	<p>1000893</p>  <p>x 1</p>	<p>1005681</p>  <p>x 16</p>
<p>1110778</p>  <p>x 2</p>	<p>1001262</p>  <p>x 24</p>	<p>1006012</p>  <p>x 42</p>
<p>1000225</p>  <p>x 2</p>		

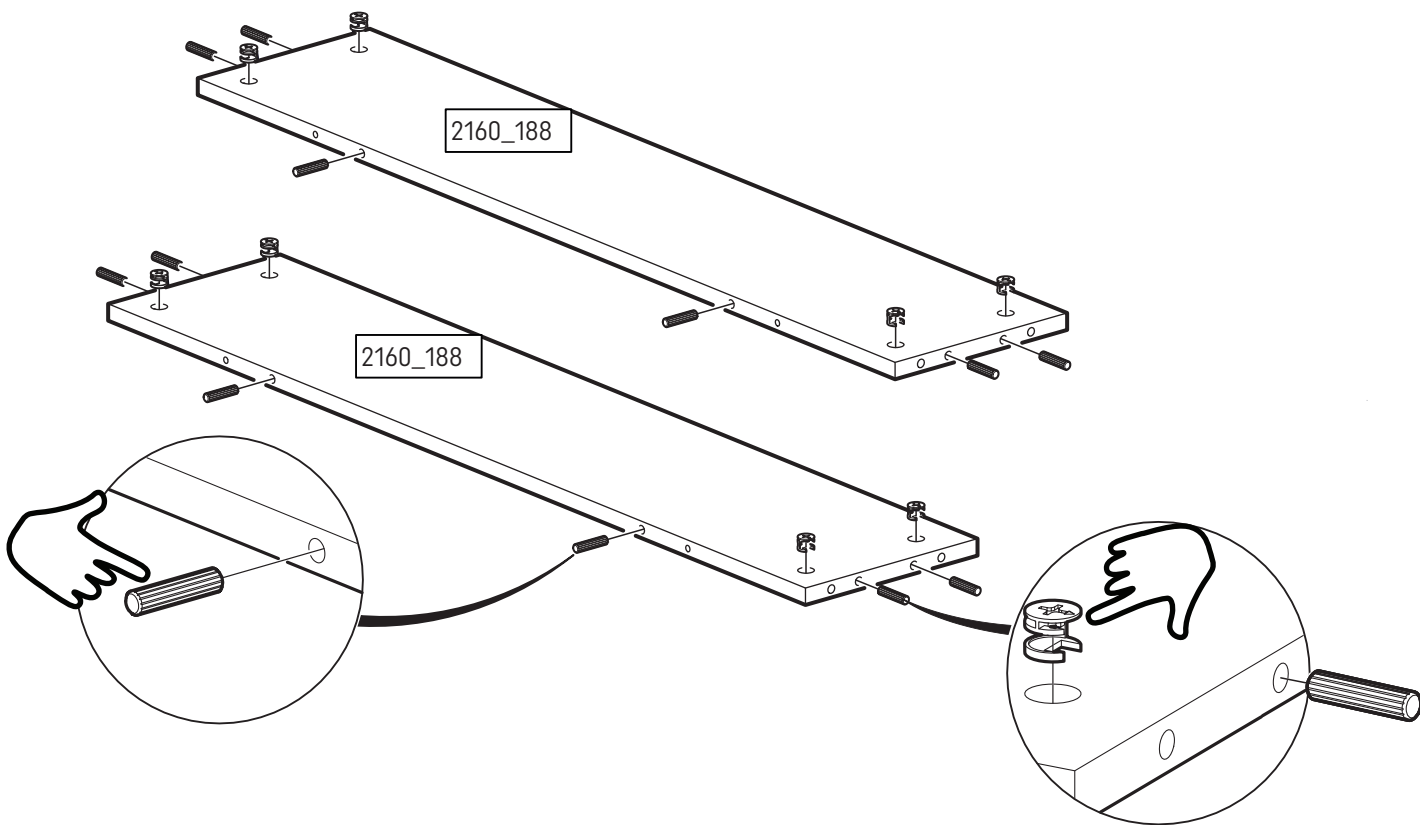
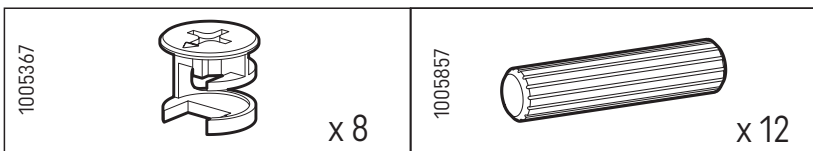
i



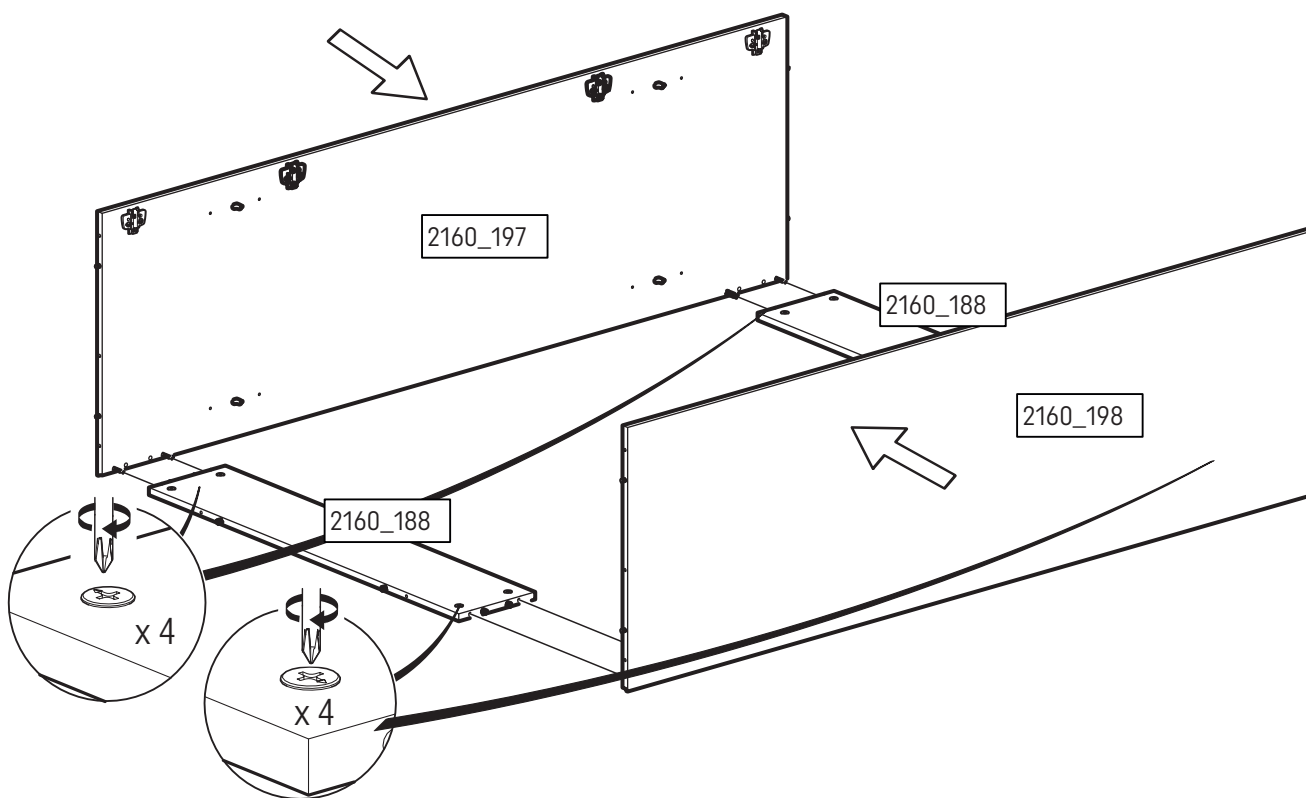
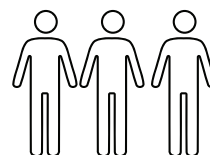
1



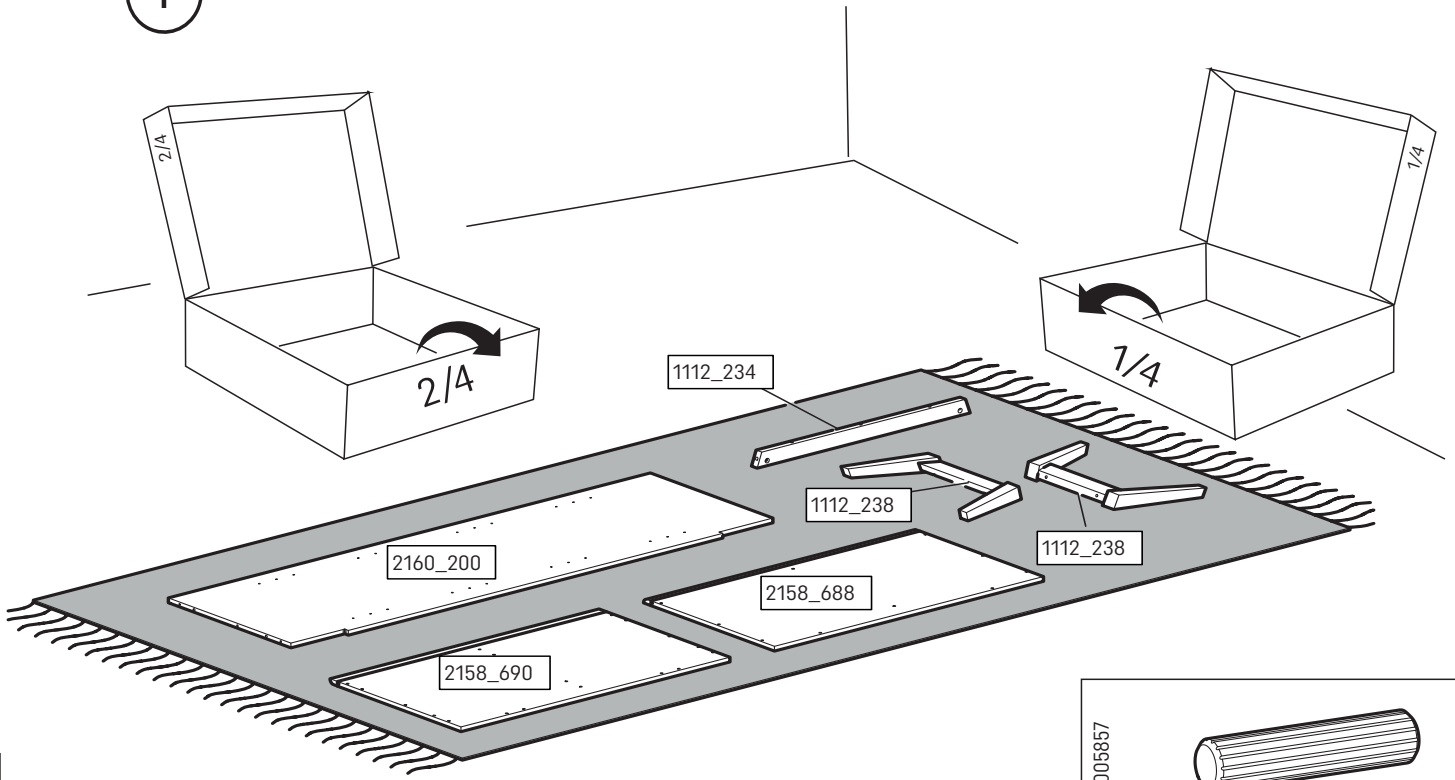
2



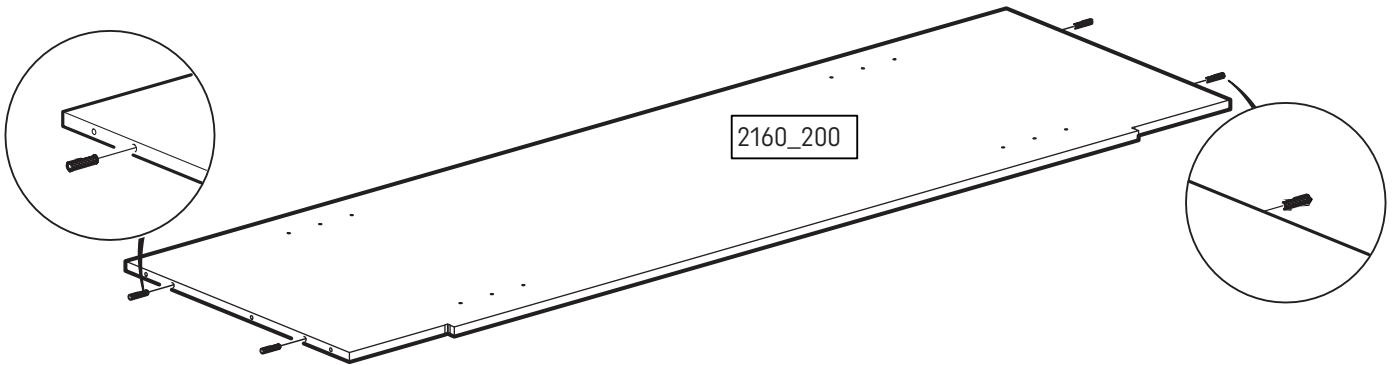
3



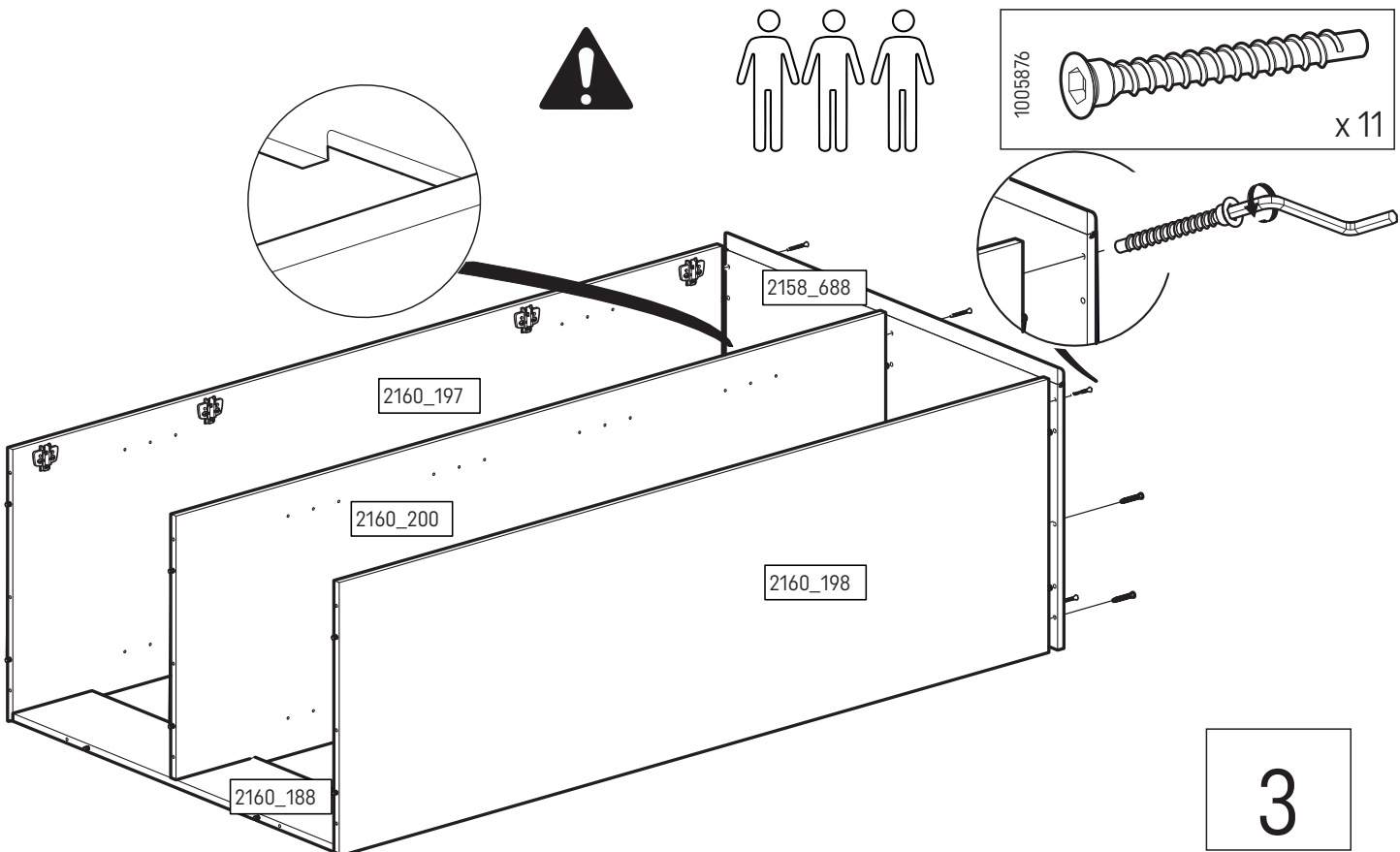
i



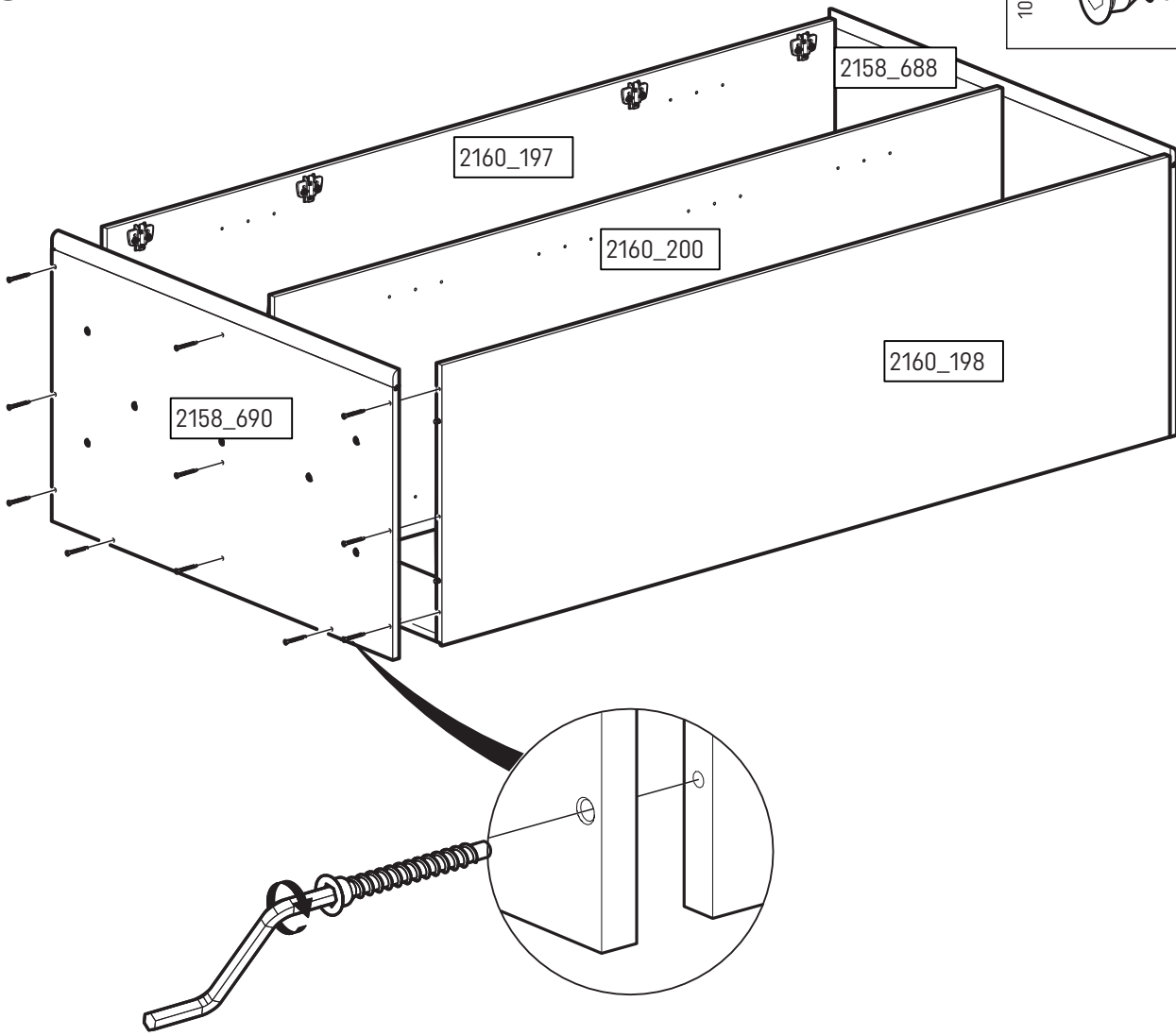
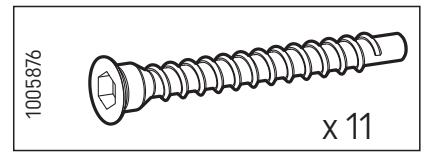
4



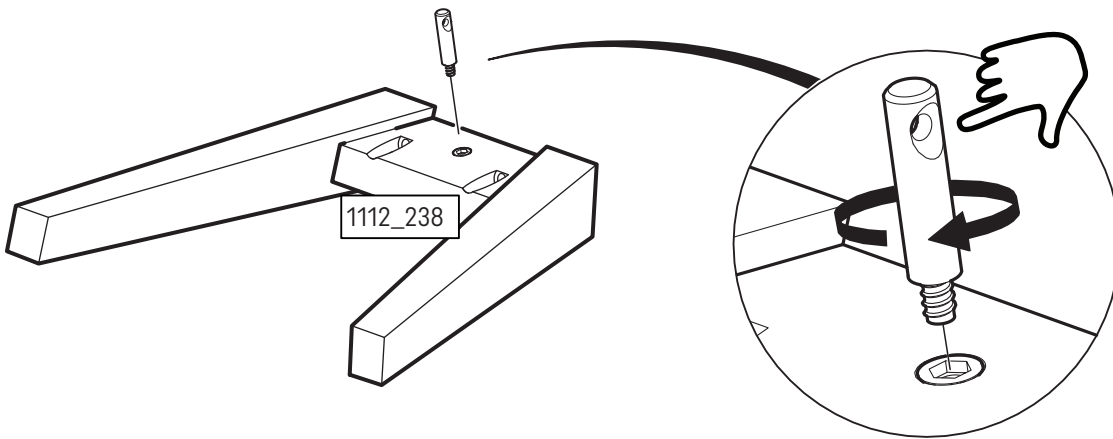
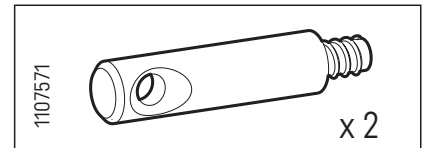
5



6



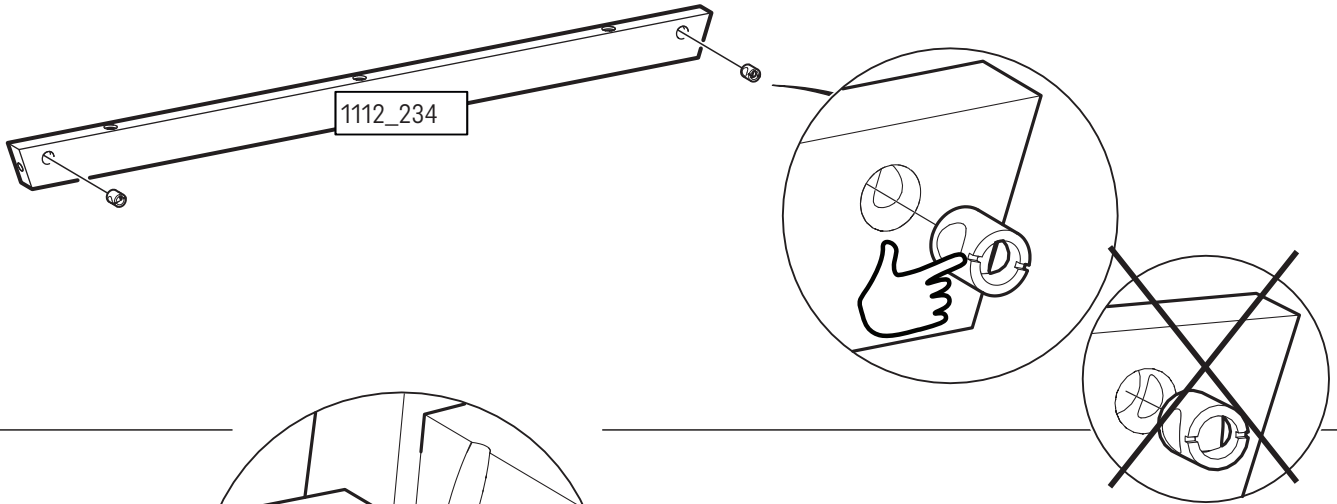
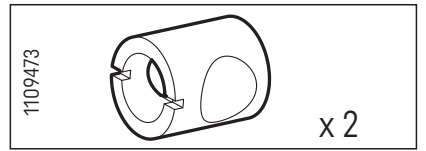
7



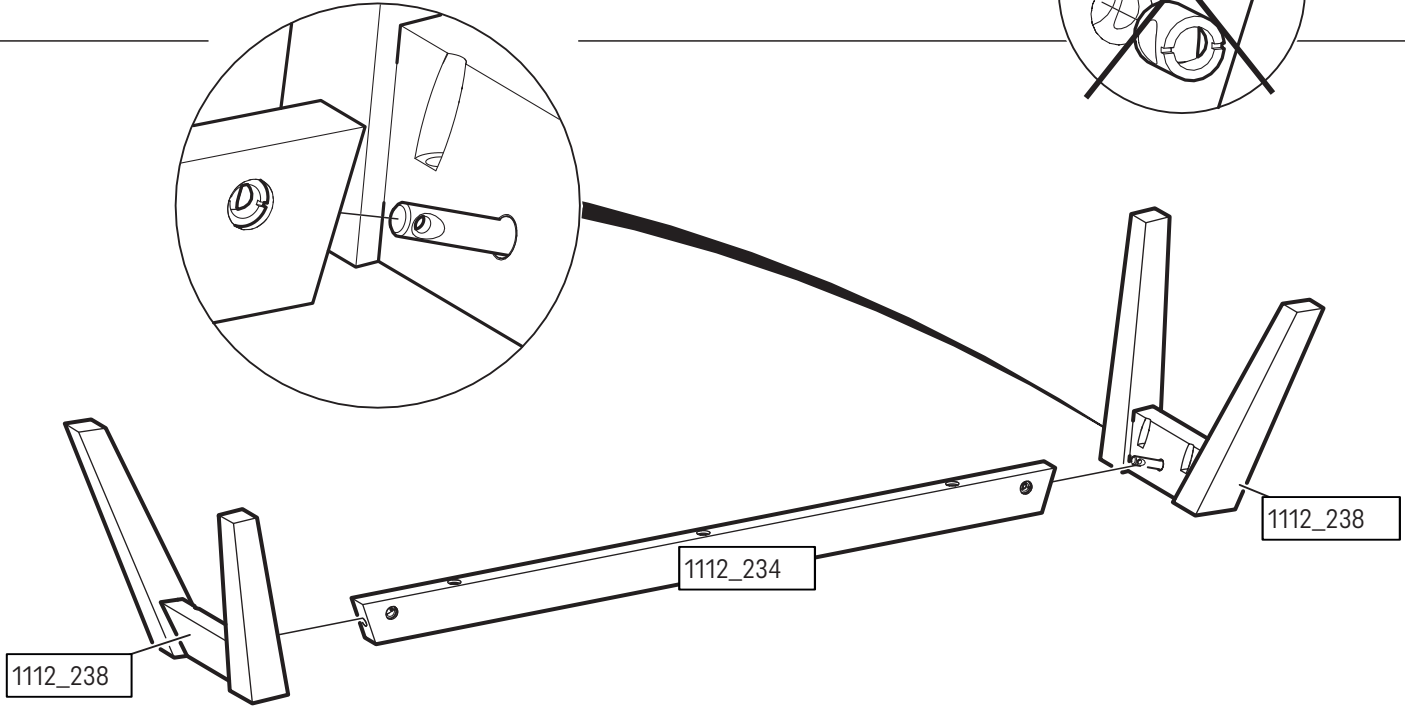
x 2



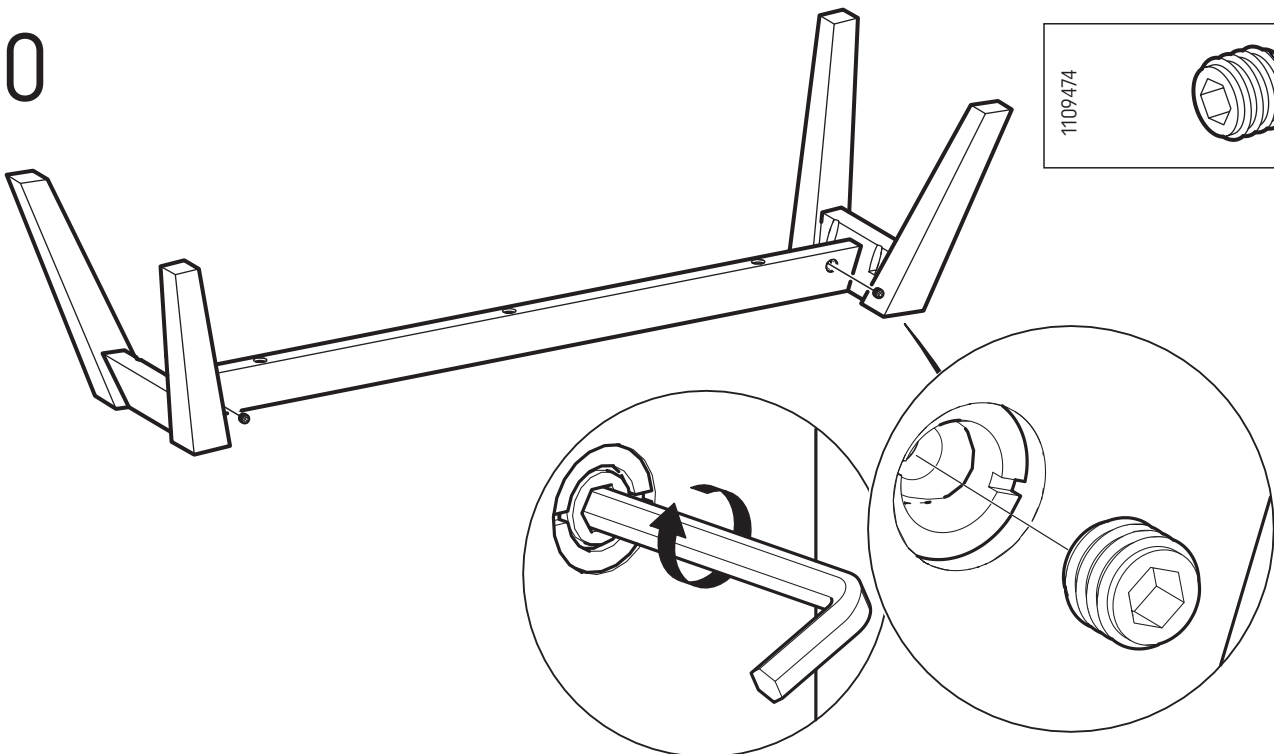
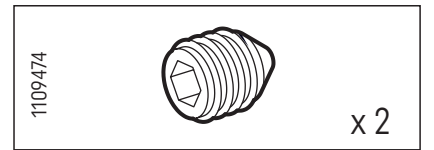
8



9

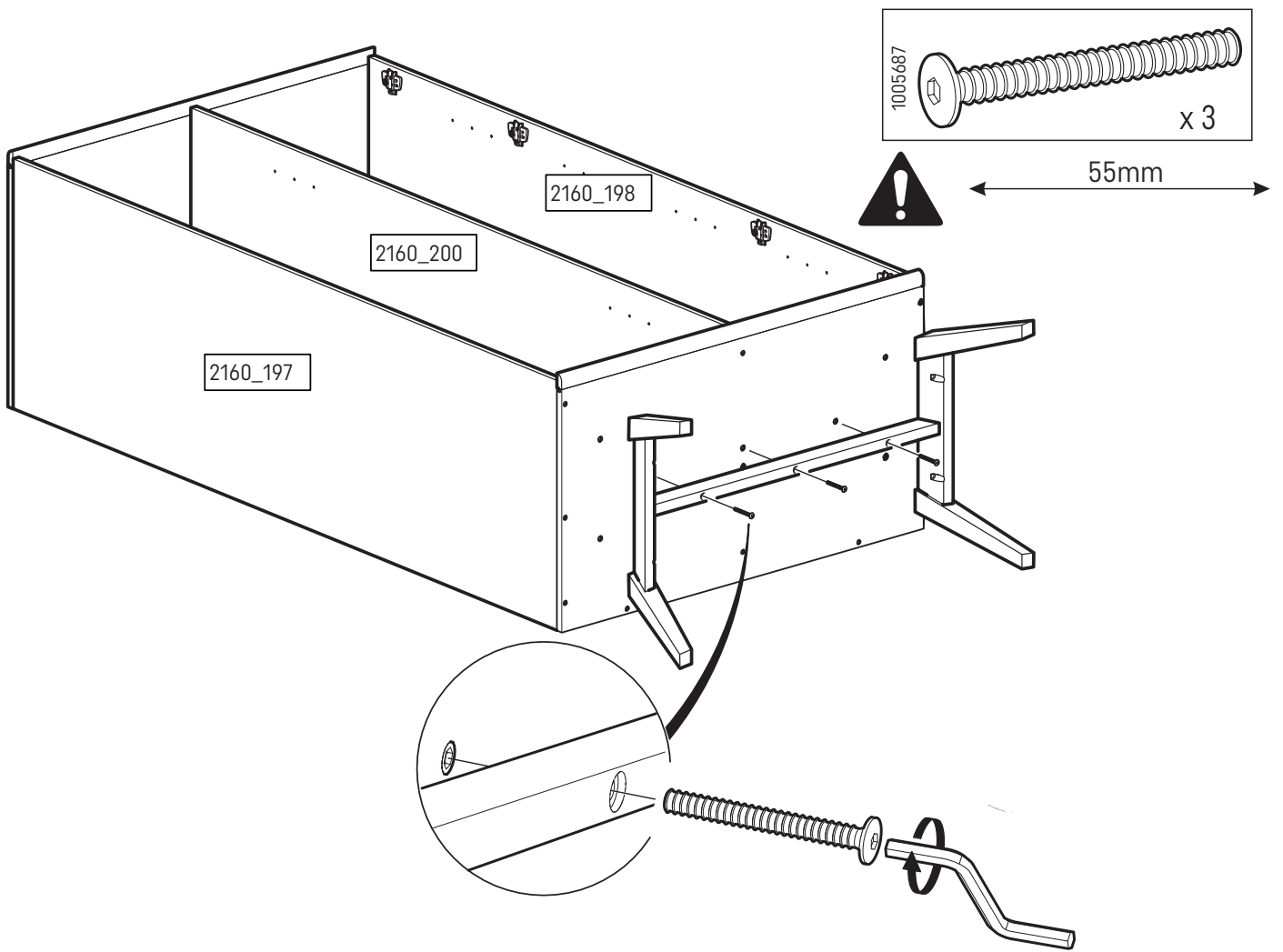


10

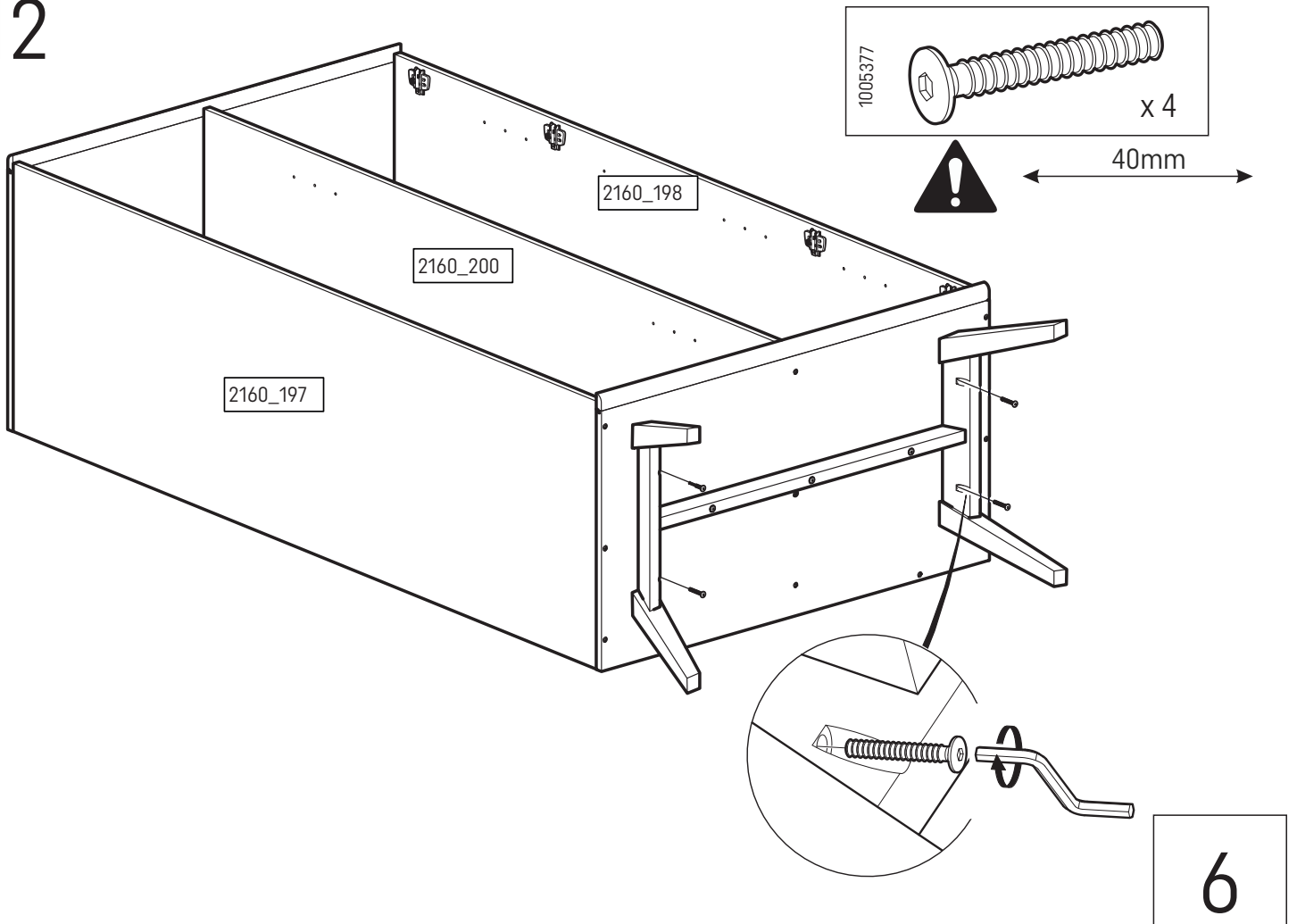


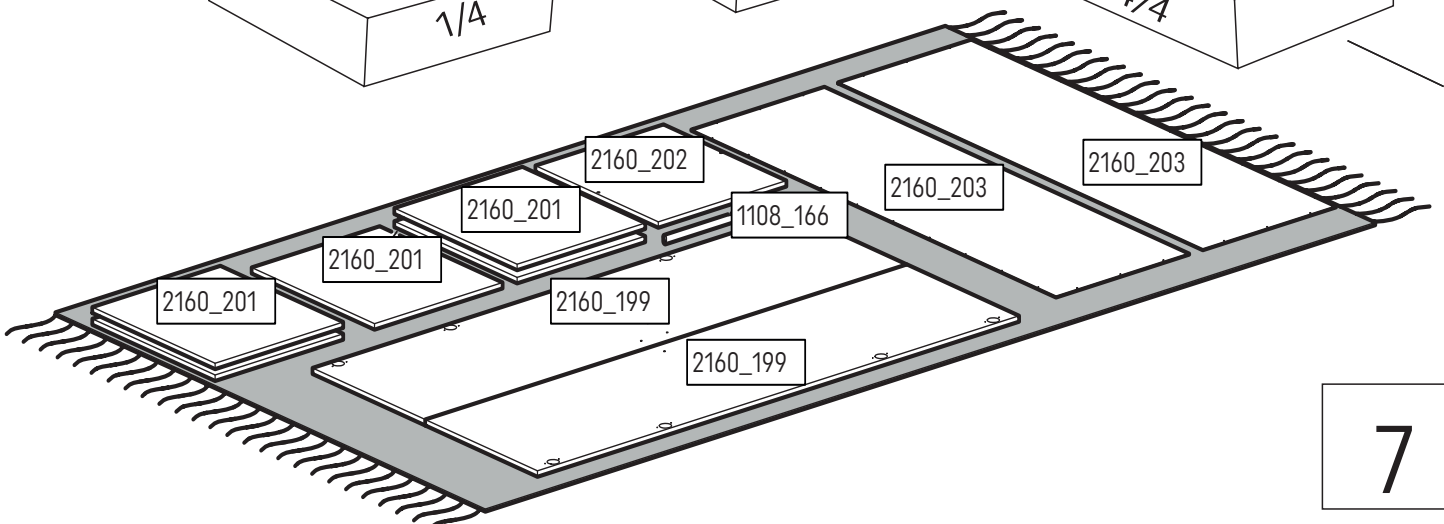
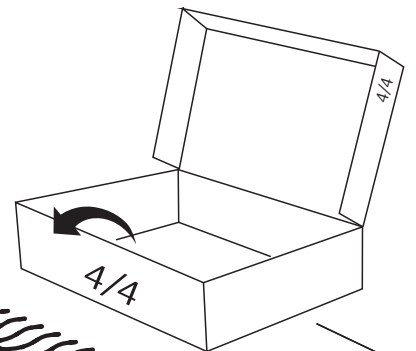
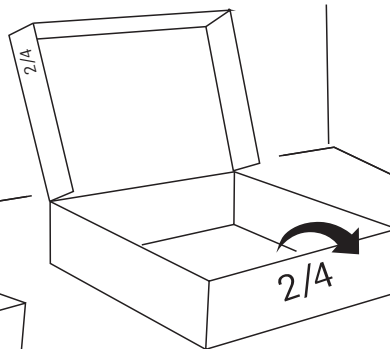
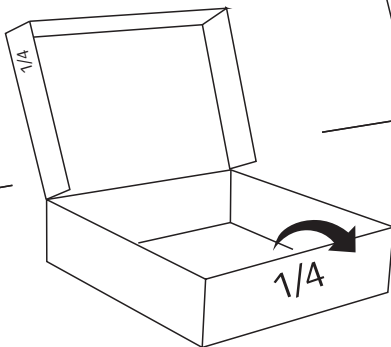
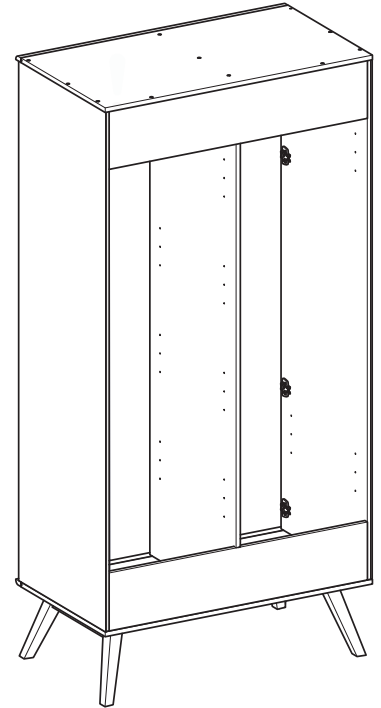
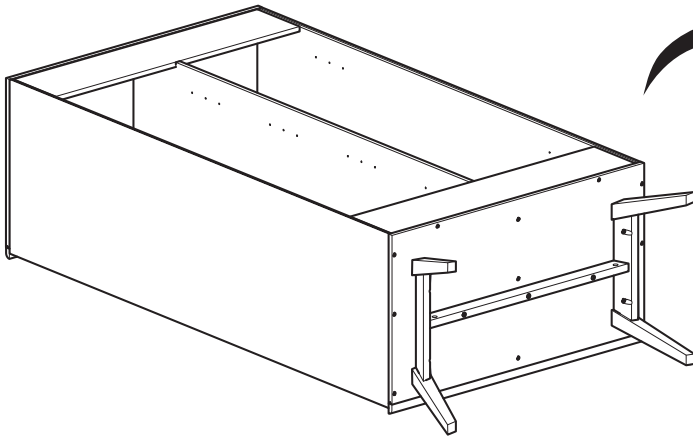
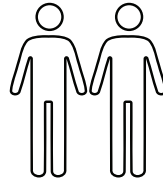
5

11

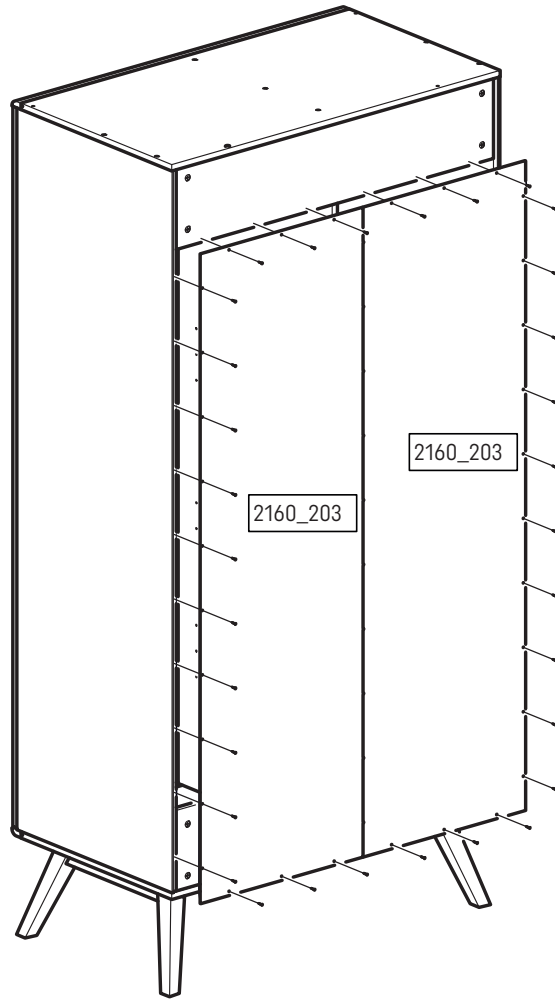



12



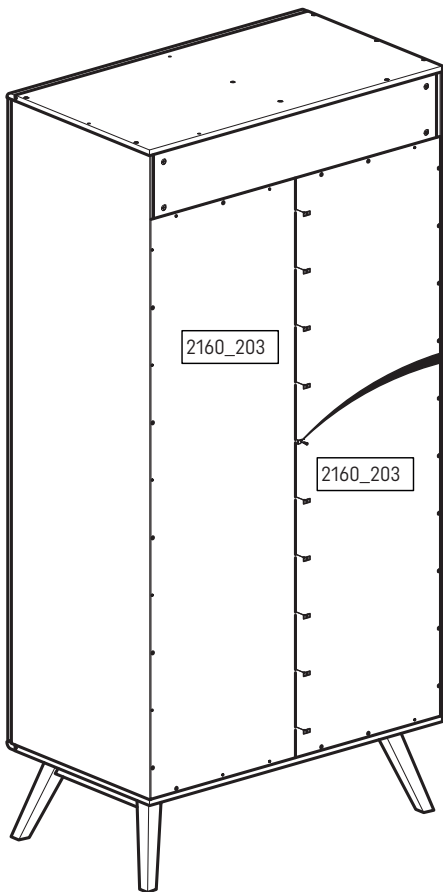



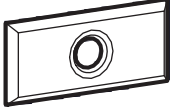
14



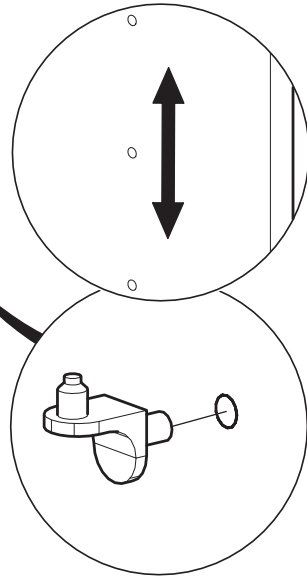
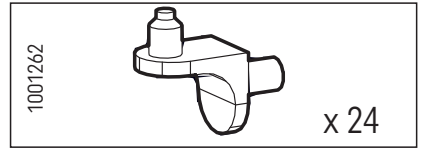
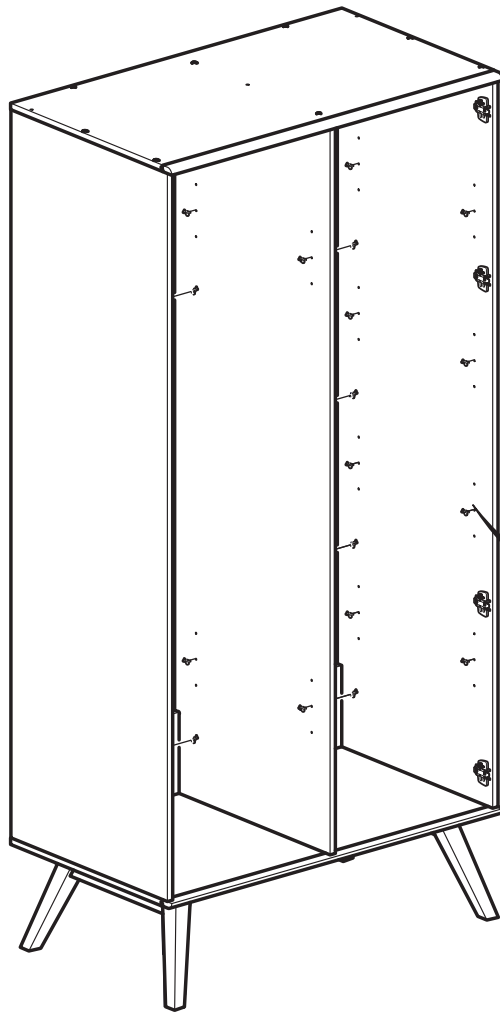
1006012		x 32
---------	---	------

15

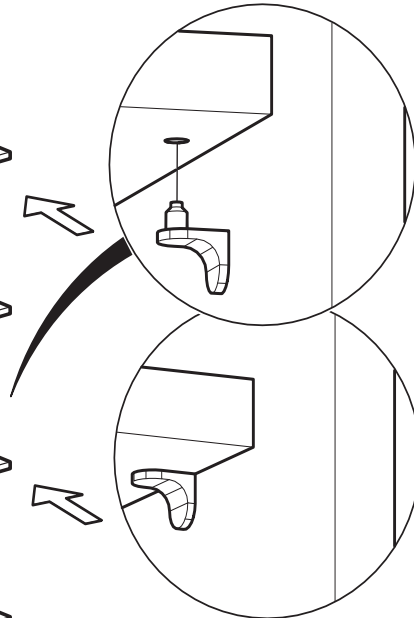
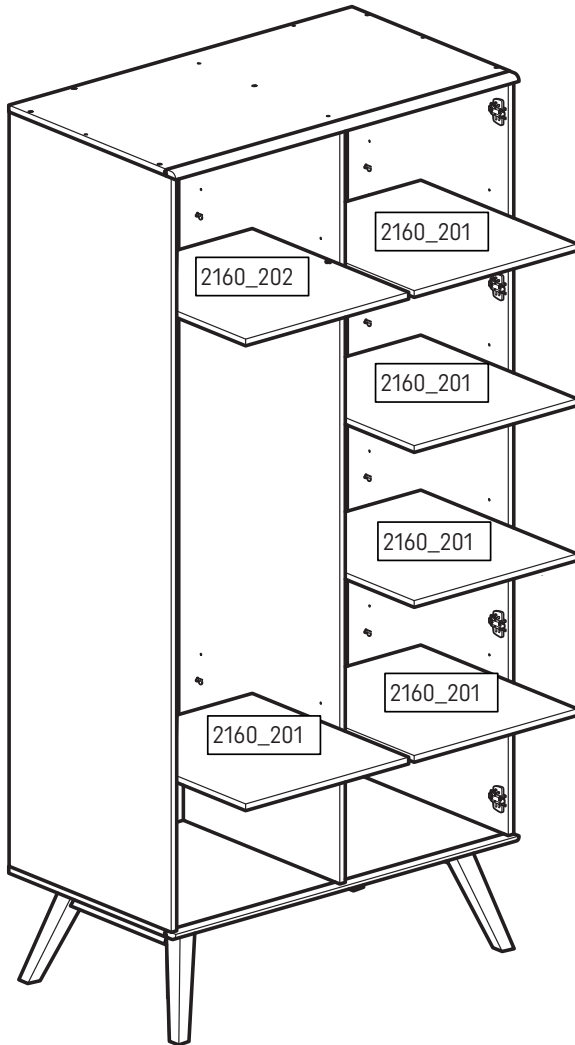


1006012		x 10
1000242		x 10

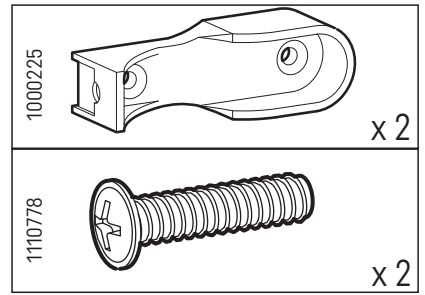
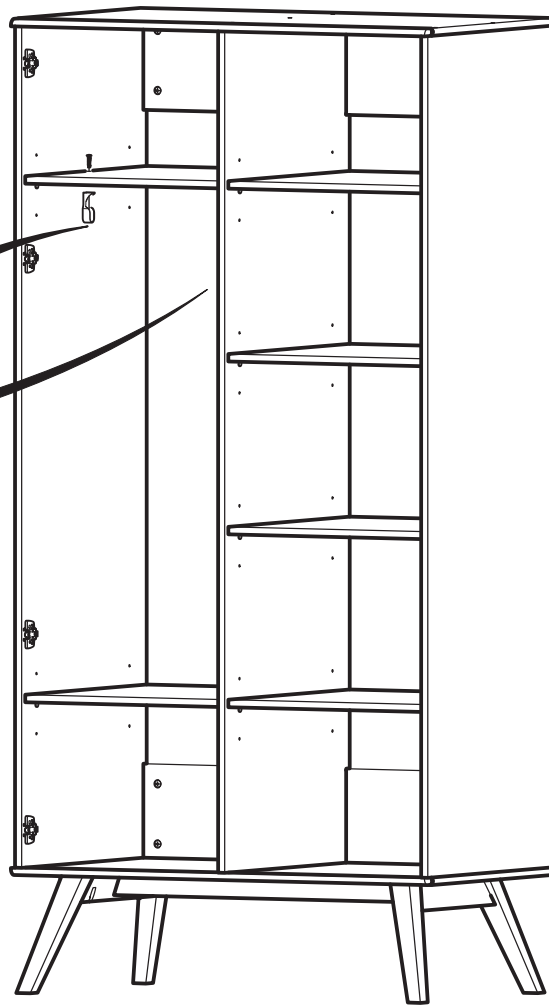
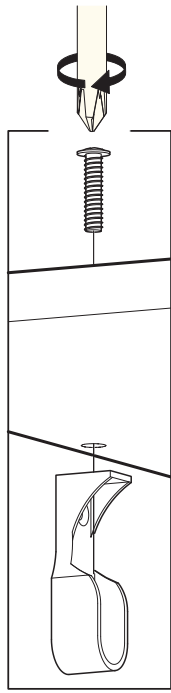
16



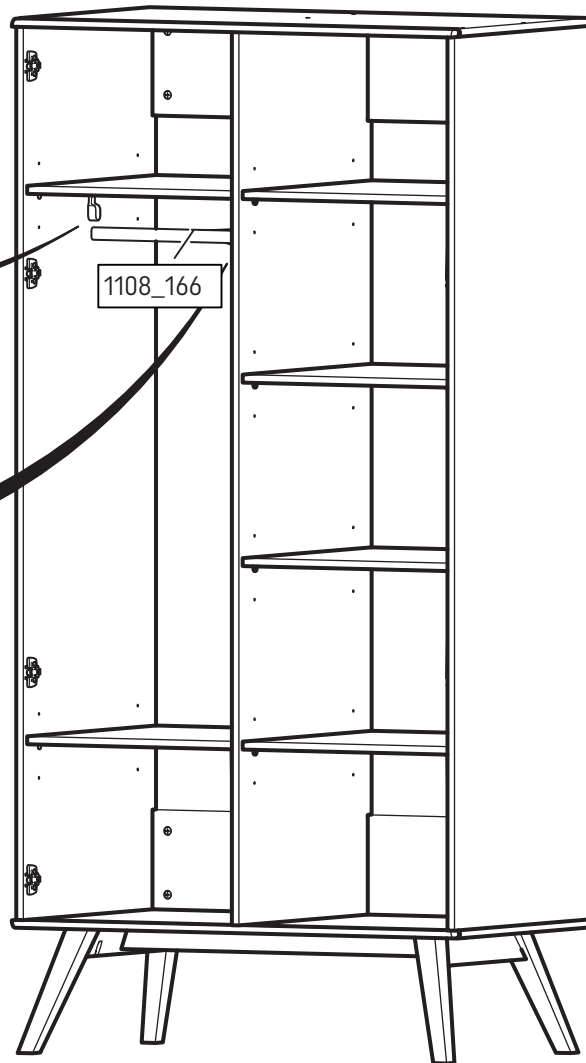
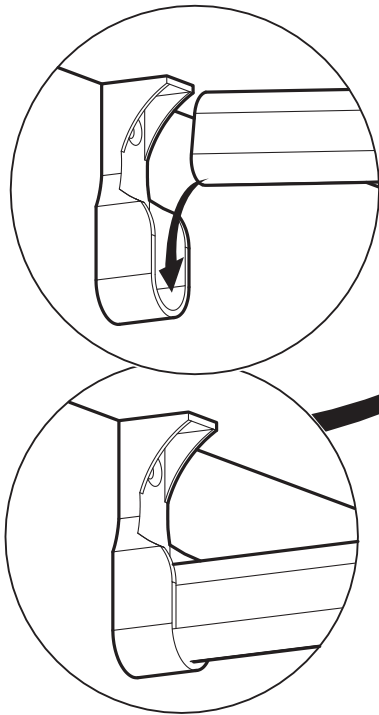
17



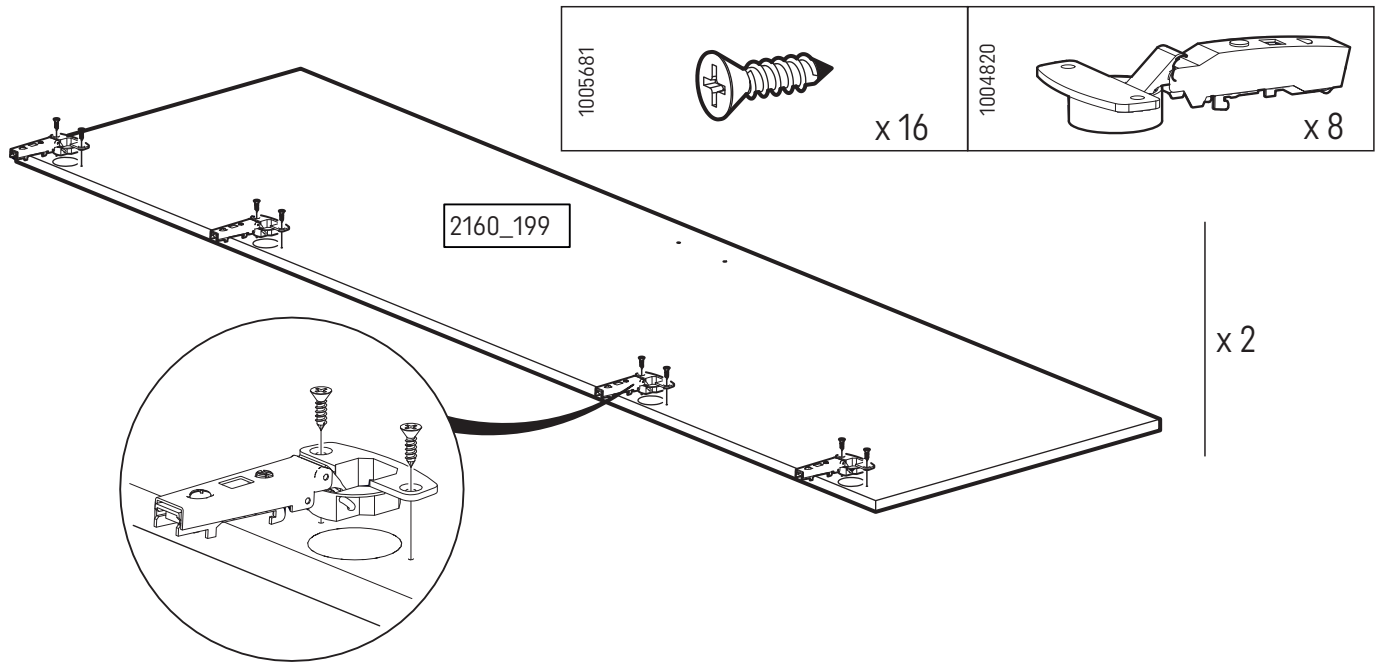
18



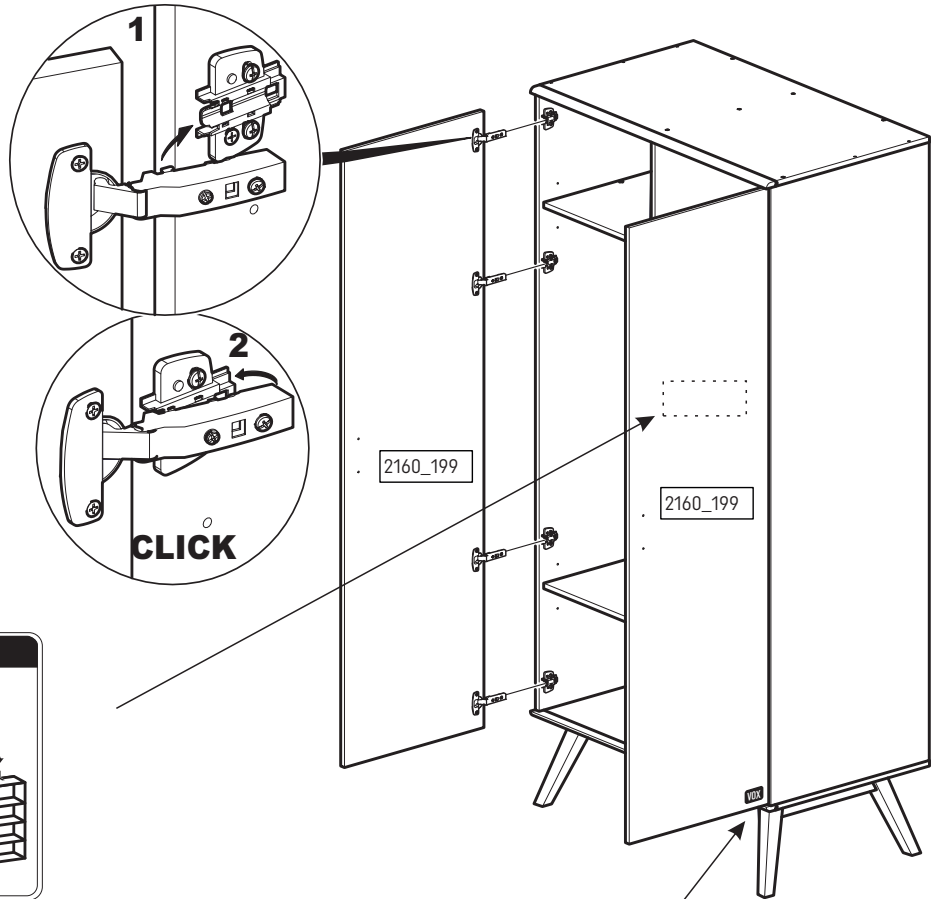
19



20



21



**WARNING**

Serious or fatal crushing injuries can occur from furniture tip-over. To help prevent tip-over:

- Install tipover restraint provided.
- Place heaviest items in the lower drawers.
- Unless specifically designed to accommodate, do not set TVs or other heavy objects on top of this product.
- Never allow children to climb or hang on drawers, doors or shelves.
- Never open more than one drawer at a time.

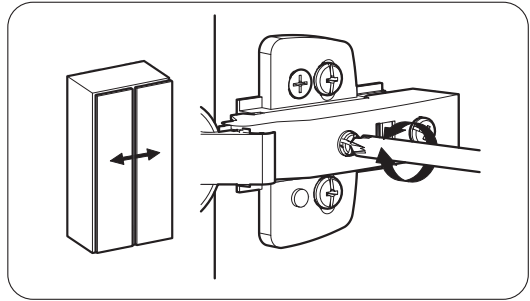
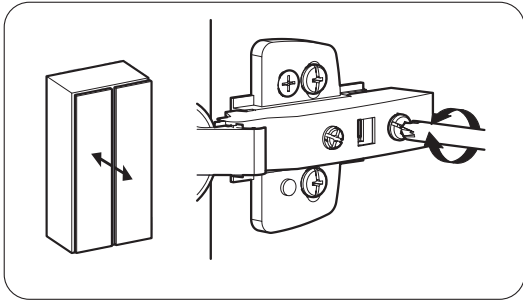
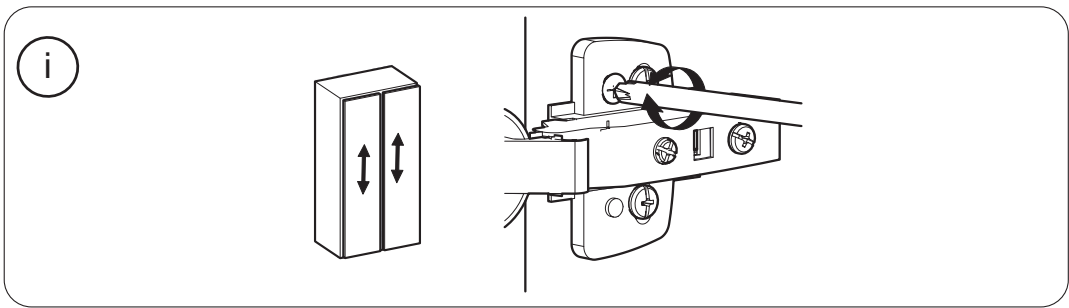
(OR)

- Do not defeat or remove the drawer interlock system.

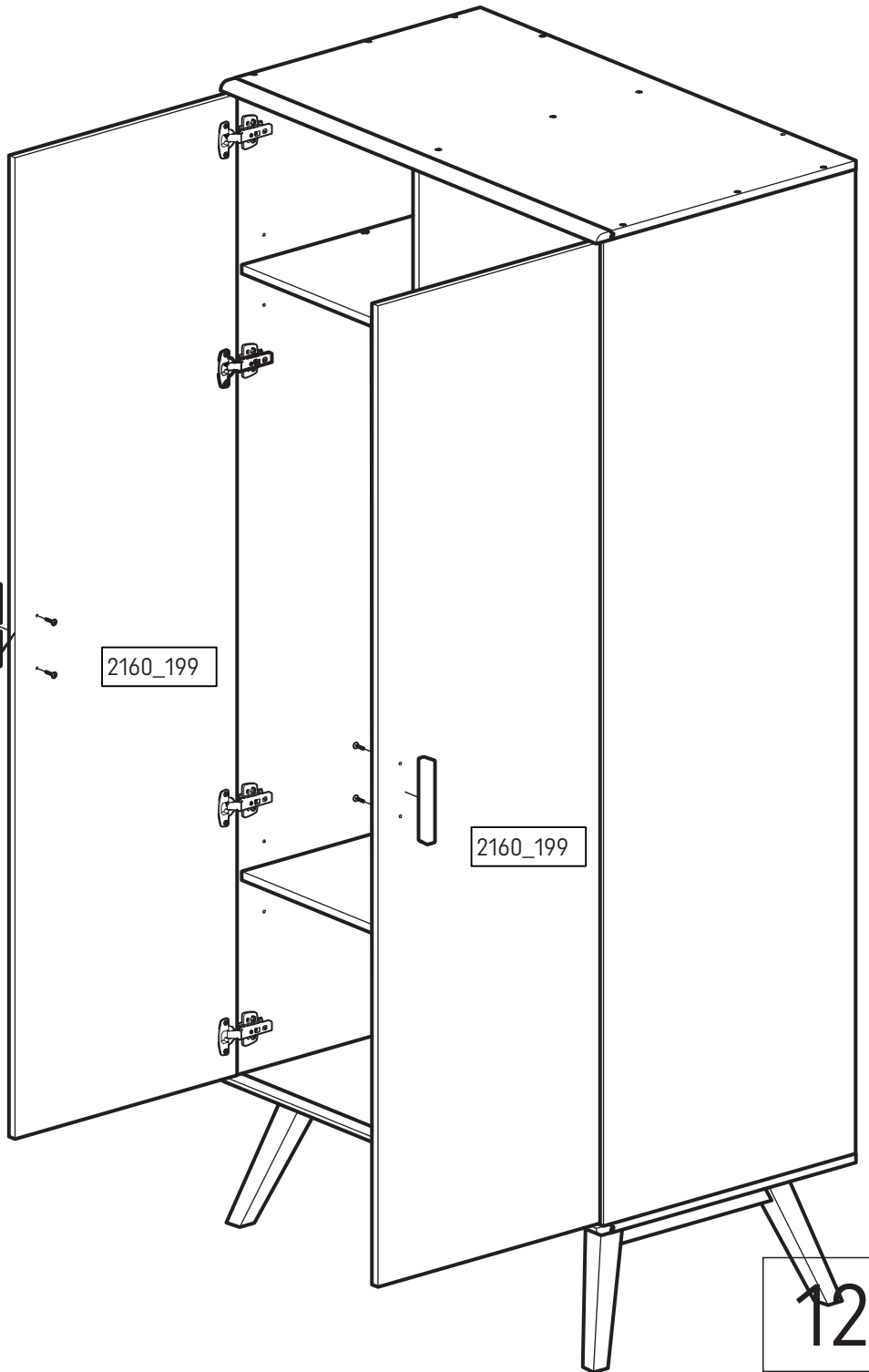
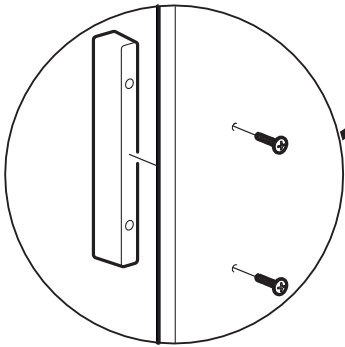
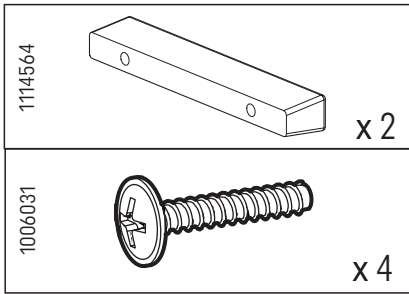
Use of tip-over restraints may only reduce, but not eliminate, the risk of tip-over.

This is a permanent label. Do not attempt to remove.



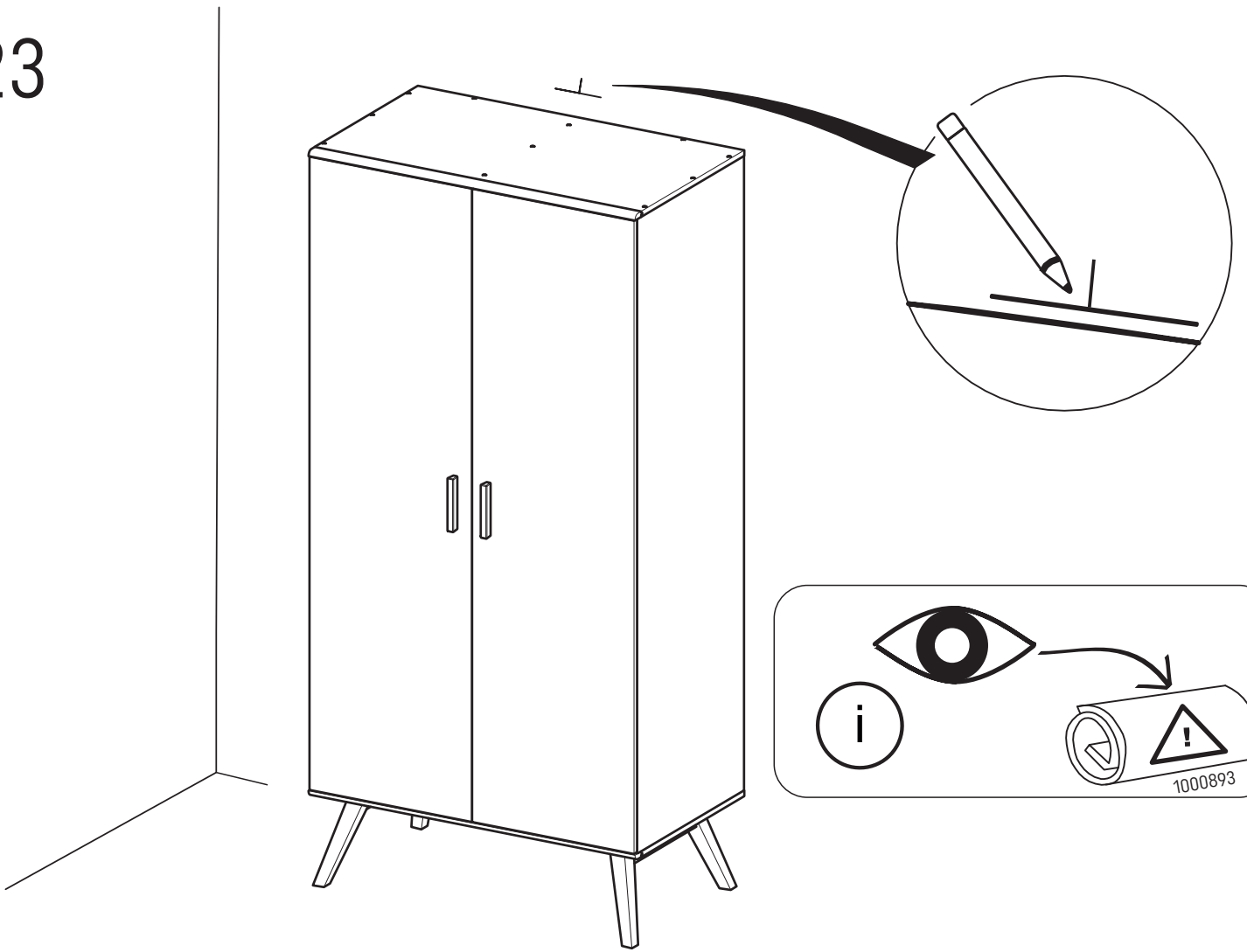


22

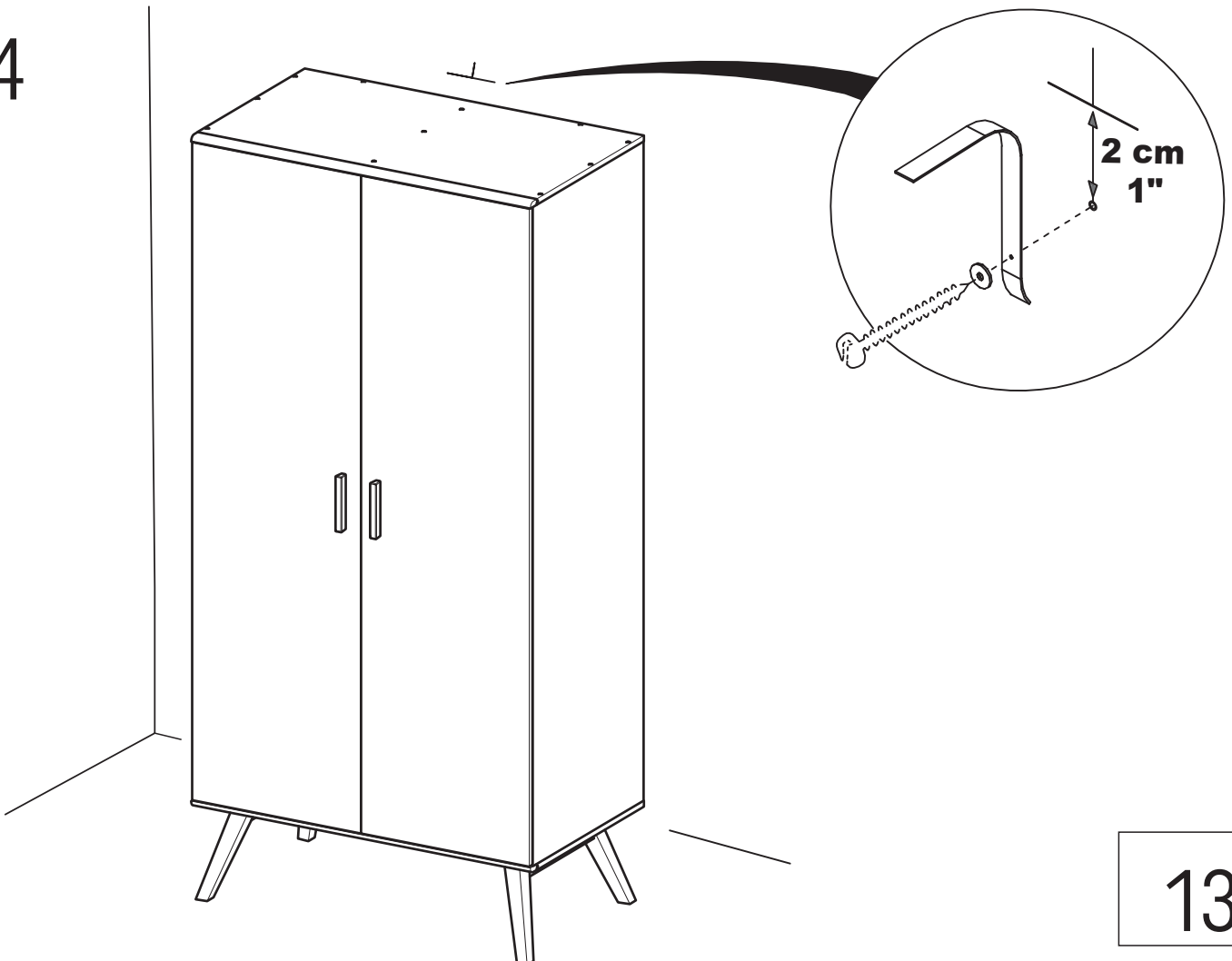




23



24



25

